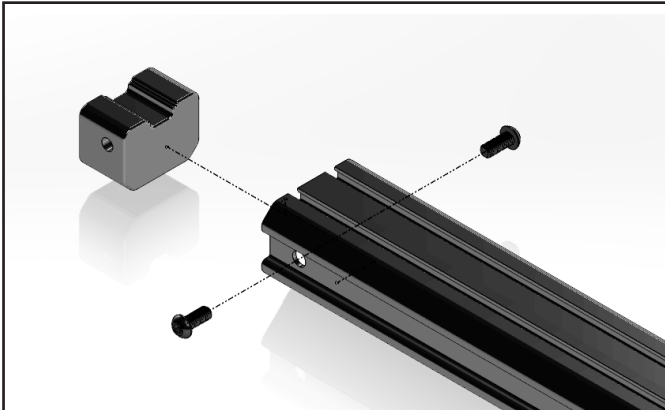




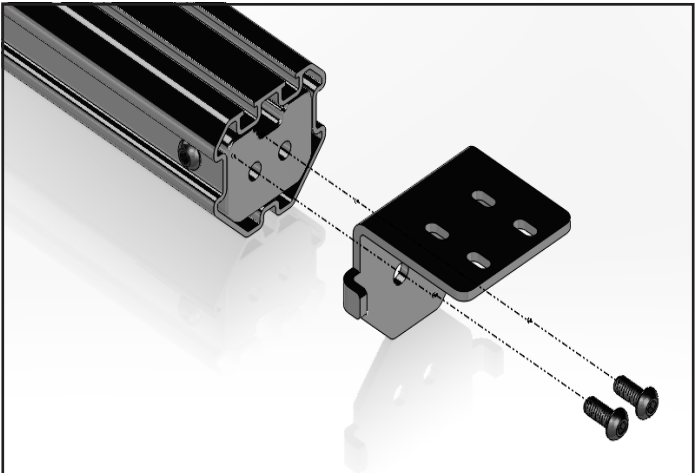
# PUTCO® **VENTURE** **T&C RACK**™

## INSTRUCTION GUIDE

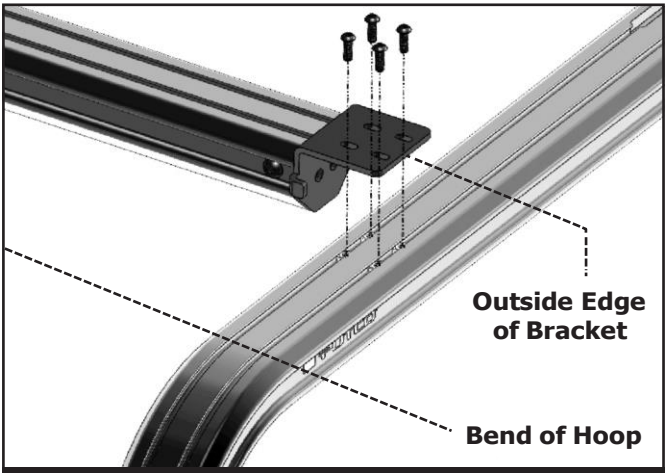
**1** Slide CoreTec threaded insert into tube. The offset threaded holes should be towards the inside of the rail (Step 1). Fasten it into place using 3/8" x 5/8" bolts. Then simply attach your mounting brackets to each side of the cross rail (Step 2) and finally mount it to the desired rails (Step 3).



**STEP 1: Diagram showing proper threaded insert installation**



**STEP 2: Proper top mounting bracket installation**



**STEP 3: Diagram showing top tube installation.**