

2020+ Jeep Gladiator JT VentureTEC Overland Rack Instructions

Congratulations on your purchase of a high quality PUTCO product. Should you need any application or technical assistance, feel free to call us at: 1-800-247-3974

Monday-Friday 8:00 a.m. - 5:00 p.m. (Central Standard Time)

Contact your PUTCO dealer for other quality accessories.

Please read all instructions before installation and to check to see that all parts are included.

KIT CONTENTS:	
Description	Qty.
Front Hoop	1
Rear Hoop with Etch	1
Support Rail	4
Lower Rail Bracket	4
Upper Rail Bracket	4
CoreTEC Block Inserts	8
Front Mounting Gasket	2
Rear Mounting Gasket	2
Vehicle Specific Mounting Kit	1
Rack Hardware Kit (Bag #185601)	1
Accessory Mounting Kit (Bag #185602)	1
Universal Tent Bracket Kit (Bag #185603)	1

Tools Needed:

- Hex Keys or Sockets:
 - 5/32", 3/16", 7/32"
- Wrench or Socket:
 - 1/2"
- Drill Bit 11/32"
- Measuring Device



Installation Instructions:

1. Measure and mark hole locations at the front and rear of the bed caps as shown in Figure 1 and Figure 2.

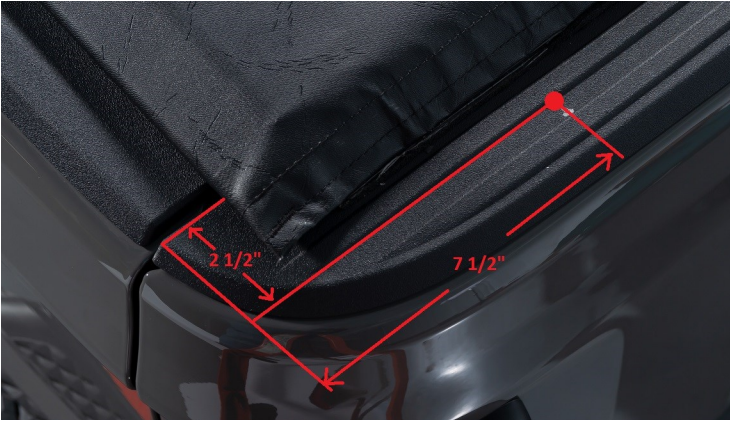


Figure 1. Measurements for the rear hole.

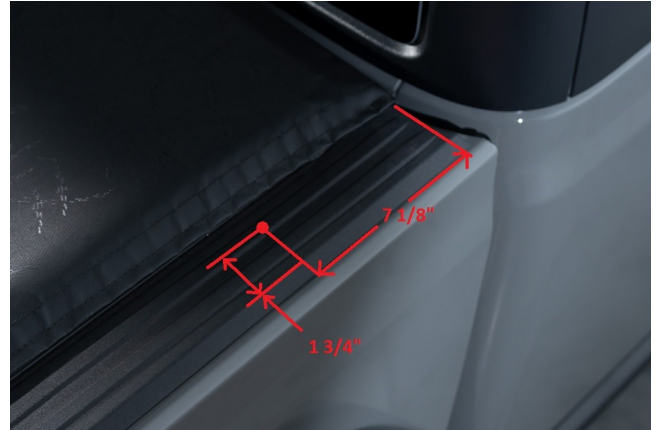


Figure 2. Measurements for the front hole.

2. Drill a 11/32" hole at the marked locations (Figure 3).



Figure 3. Drill the holes.

3. Place the front mounting gaskets on the bed caps (Figure 4) and place the front hoop (Figure 5).



Figure 4. Placement of the front gasket.



Figure 5. Placement of the front hoop.

4. Insert a 5/16" x 2" bolt through the 5/16" washer, hoop, gasket, bedcap, washer, and locknut (Figure 6). Repeat on the other side.



Figure 6. Bolt location and orientation.

5. Place the rear mounting gaskets on the bed caps (Figure 7) and place the rear hoop (Figure 8).



Figure 7. Placement of the rear gasket.



Figure 8. Placement of the rear hoop.

6. Insert a 5/16" x 2" bolt through the 5/16" washer, hoop, gasket, bedcap, washer, and locknut (Figure 9). Repeat on the other side.

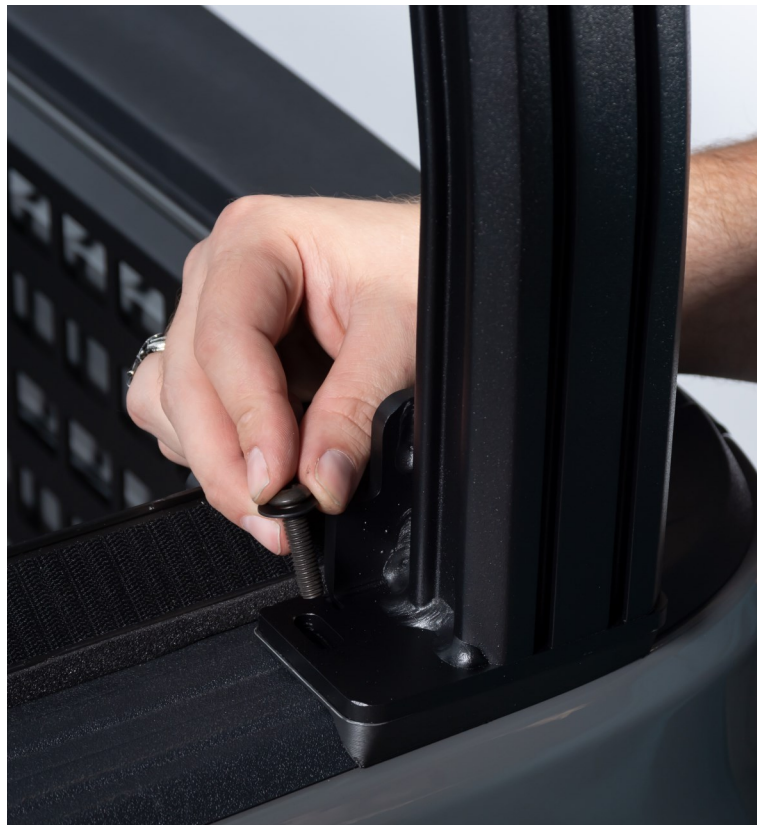


Figure 9. Bolt location and orientation.

7. Loosely attach a CoreTEC block insert to each of the lower rail brackets so the tabs on the bracket point downwards (Figure 10). Insert the CoreTEC blocks into the support rail with the flat sides of the lower rail brackets on the same side of the rail. Tighten the bolts holding the brackets onto the support rails.

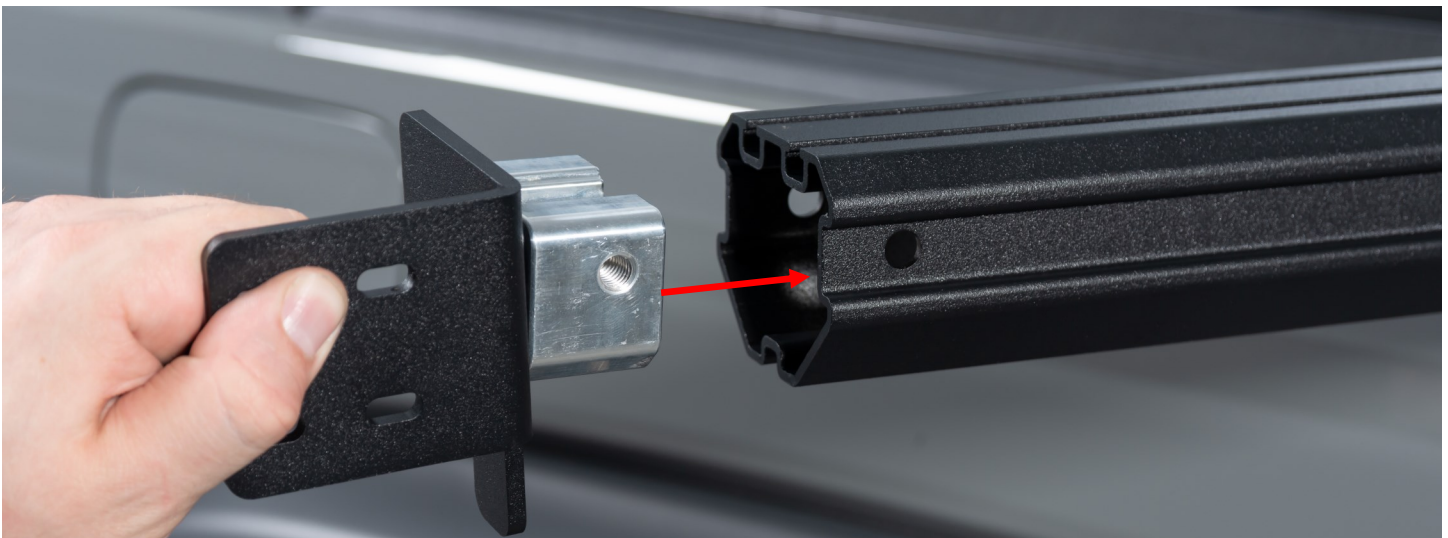


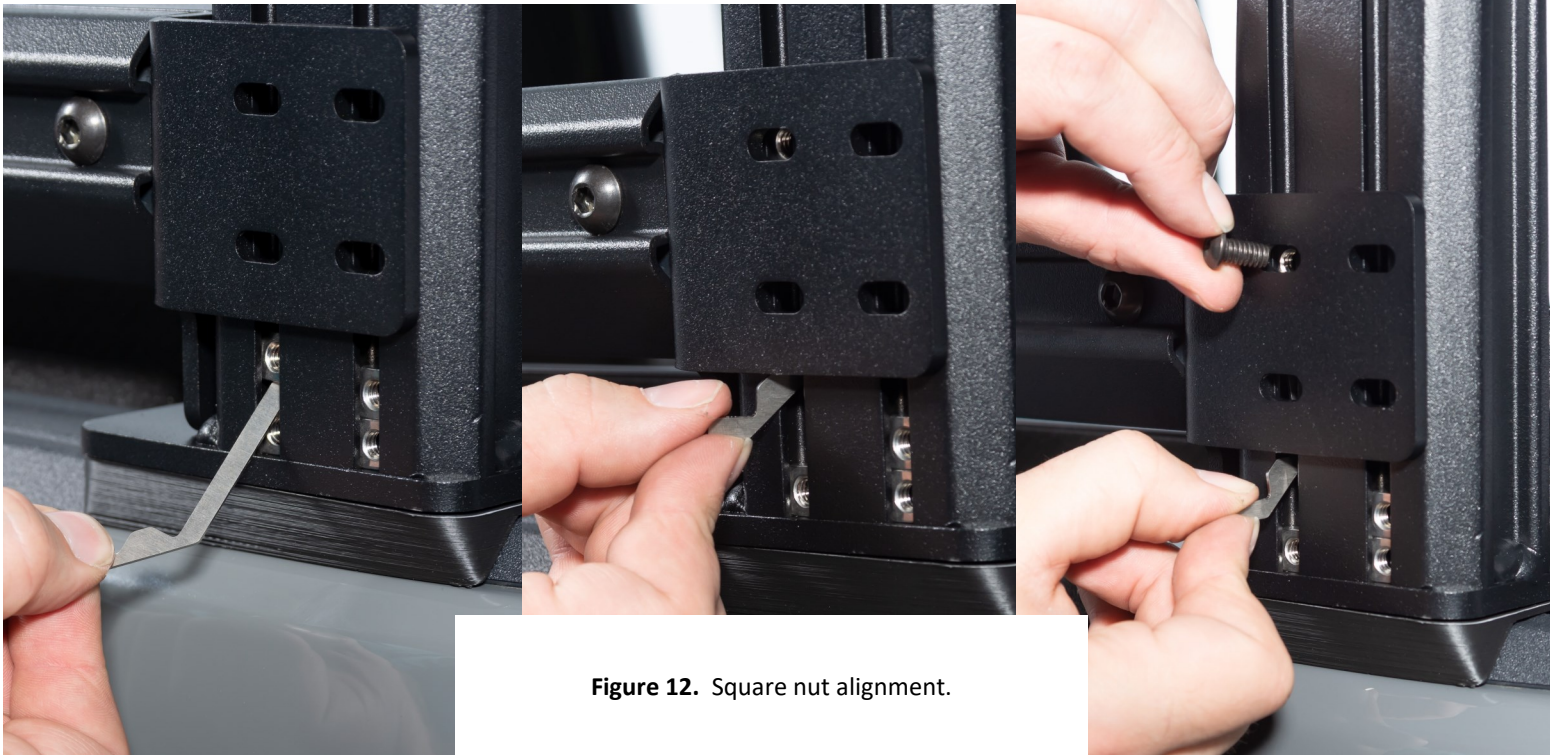
Figure 10. Lower bracket orientation.

8. Insert four(4) square nuts into each channel on the front and rear hoop (Figure 11). Slide two(2) square nuts in each channel down to the foot on each side of the hoops.

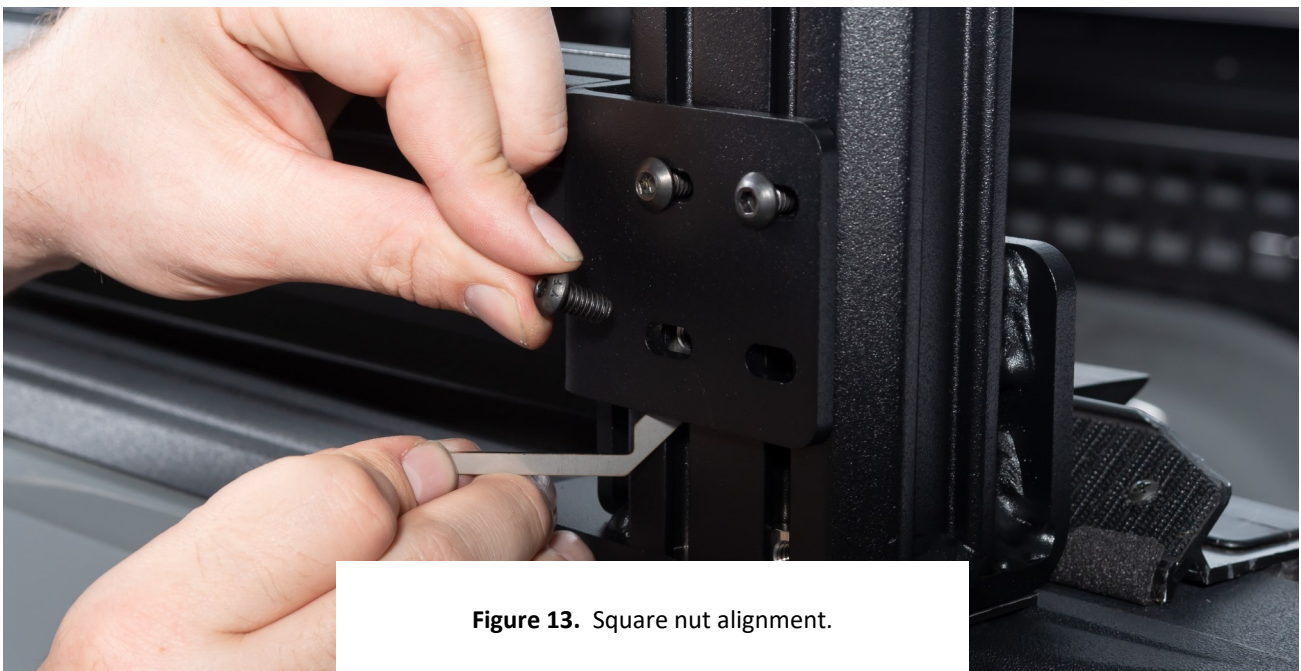


Figure 11. Insert square nut into the channel.

- Using the long side of the nut alignment tool, align a square nut with the top holes in the mounting bracket, and thread a 1/4-20 bolt into the square nuts (Figure 12). Repeat for all eight(8) upper bolts.



- Using the short side of the nut alignment tool, align a square nut with the bottom holes in the mounting bracket, and thread a 1/4-20 bolt into the square nuts (Figure 13). Repeat for all eight (8) lower bolts.



11. Loosely attach a CoreTEC block insert to each of the upper rail brackets so the flat side on the bracket is lined up with the top of the support rail (Figure 14). Insert the CoreTEC blocks into the support rail and tighten the bolts holding the brackets onto the support rails.



Figure 14. Correct orientation of upper rail brackets.

12. Insert four(4) square nuts into each channel on the front and rear hoop (Figure 15). Slide two(2) square nuts in each channel towards the bends at the top of the hoops.



Figure 15. Insert square nut into the channel.

13. Align the upper support rails between the two hoops. Start by angling the upper support rail and lining up one end with the front hoop. Then rotate the upper support rail keeping both ends aligned with the hoops (Figure 16). Repeat with the second upper support rail.



Figure 16. Upper rail installation.

14. Align the holes in the upper brackets and thread 1/4-20 bolts into the square nuts. Align the rails to the edge of the bend in the hoops, and tighten the bolts (Figure 17).



Figure 17. Alignment of upper support rail.

11. With all of the support rails in place, check and tighten all fasteners on the VentureTEC overland rack.

**Your new VentureTEC overland rack is now successfully installed
on your vehicle! Let the adventures begin!**

