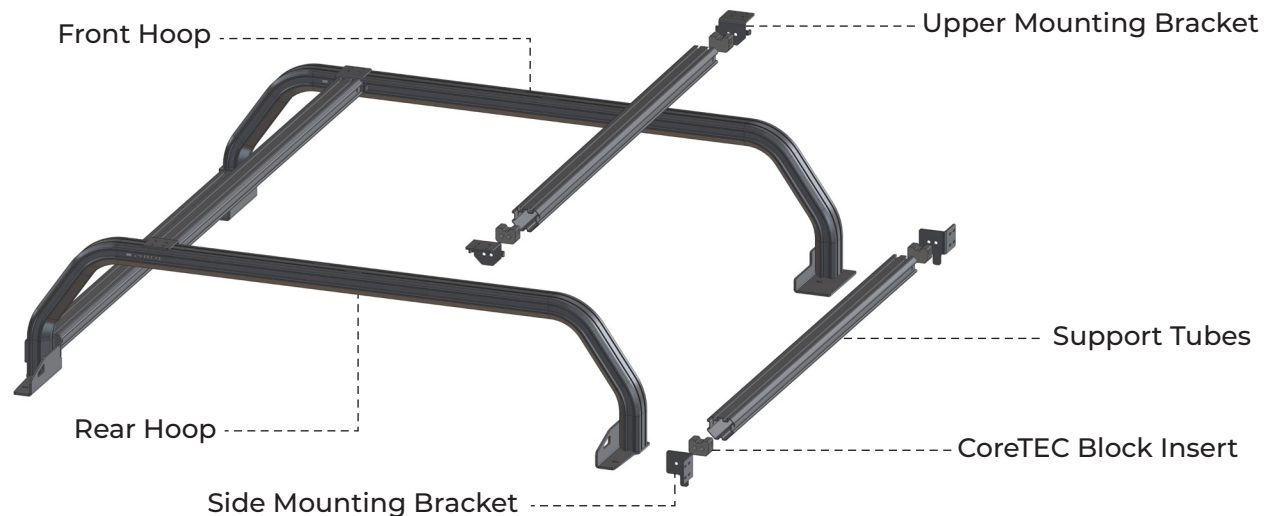


# PUTCO® VENTURE TEC RACK™

## INSTRUCTION GUIDE



Congratulations on your purchase of a high quality PUTCO® product. Should you need any application or technical assistance, feel free to call us at:

**1-800-247-3974**

Monday-Friday 8:00am - 5:00pm (Central Standard Time)  
Contact your PUTCO® dealer for other quality accessories.



**PLEASE READ ALL INSTRUCTIONS BEFORE INSTALLATION  
AND CHECK TO SEE THAT ALL PARTS ARE INCLUDED**

### REQUIRED TOOLS

**HEX KEYS OR SOCKETS**  
(sizes: 7/32", 3/16", 5/32")



OR

**PERMANENT MARKER  
OR PUNCH**  
(to mark drill hole locations)



**WRENCH OR SOCKET**  
(sizes: 9/16", 7/16")



OR

**DRILL & BITS**  
(1/8" and 25/64" drill bits)



### CONTENT LIST

**QTY**

Rear Hoop (etched hoop)	1
Front Hoop	1
CoreTEC Block Inserts	8
Support Tubes	4
Vehicle Specific Hardware Mounting Kit	1
Upper Mounting Brackets	4
Side Mounting Brackets	4
Rack Hardware Kit	(Bag #185601) 1
Accessory Mounting Kit	(Bag #185602) 1
Universal Tent Bracket Kit	(Bag #185603) 1
Blue Loc Tite	1



**NOTE: It is required that holes are drilled into the bed cap in order to securely mount the hoops. Carefully follow the instructions and measure twice before drilling holes.**

- 1** Place the front hoop (NOTE: the rear hoop has "Putco" etched on it) on the bed caps as shown in Figure 1. Ensure that the gaps are consistent on both sides of the vehicle. Use permanent marker or punch to mark hole locations on bed cap.
- 2** Remove the rack and use the 1/8" drill bit to drill pilot holes in the marked locations.
- 3** Use the 25/64" drill bit to enlarge the pilot holes.
- 4** Place the front hoop on the bed caps and install the hardware as shown in Figure 2.
- 5** Assemble the top tubes as described in steps 11 through 13.
- 6** Place the rear hoop on the vehicle as shown in the rear hoop location image to the right. Its location is determined by the top tubes.
- 7** Use the top tubes assembled in step 5 to position the rear hoop appropriately (Figure 3a and 3b). Take care to ensure that the mounting feet locations are identical on driver and passenger sides.

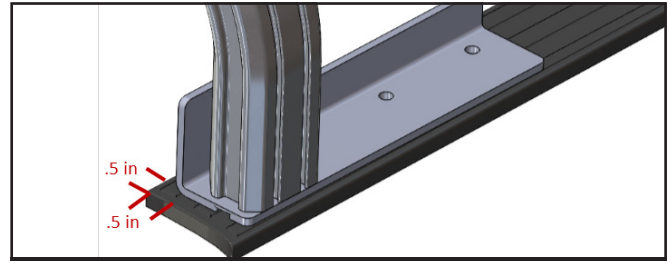


Figure 1: Front Hoop Location

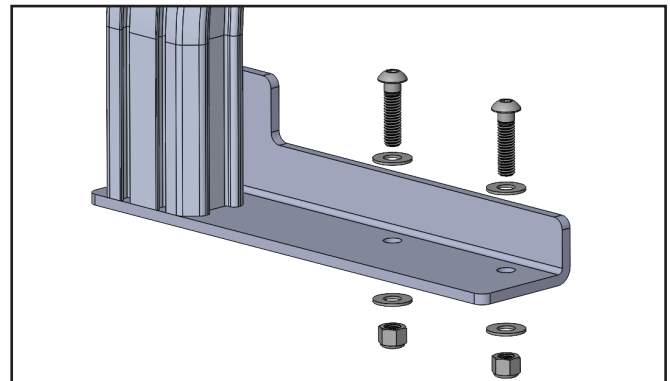
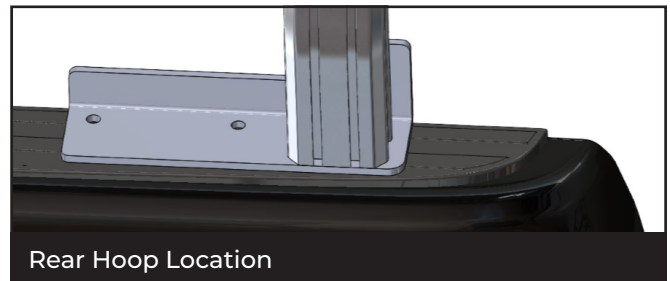


Figure 2: Front Mounting Hardware



Rear Hoop Location

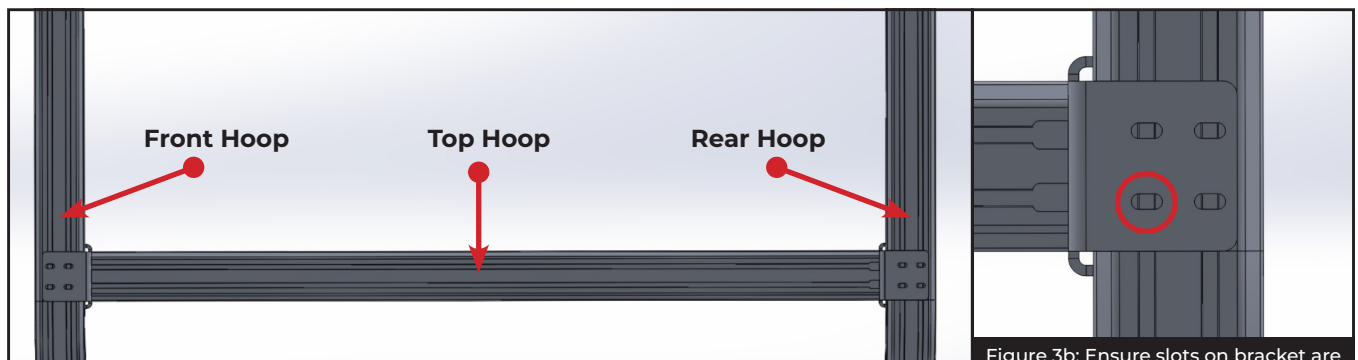


Figure 3a: Using top tube to locate rear hoop.

Figure 3b: Ensure slots on bracket are centered over channels of front and rear hoops.

- 8** Once the top tube is in place, and gaps between mounting feet and bed rails are equal on driver's and passenger's side, mark mounting hole locations.
- 9** Repeat the hole drilling process outlined in steps 2 and 3, then mount the rear hoop with provided hardware. Fully tighten fasteners that secure hoops to bed before installing top and side tubes.



**10** Insert 8 square nuts into each channel of both racks. Slide square nuts down to the mounting plate, so that both sides of the hoop look like Figure 4. Position remaining square nuts in top channel near bend, as shown in Figure 5.



Figure 4: 4 square nuts slid towards the mounting plate



Figure 5: square nuts are slid towards the corner

**11** Locate the four support tubes. Slide CoreTec threaded insert into tube. The offset threaded holes should be towards the inside of the rail (Figure 6). Fasten it into place using 3/8" x 5/8" bolts. When properly installed, the CoreTec insert should be flush with the end of the tube.

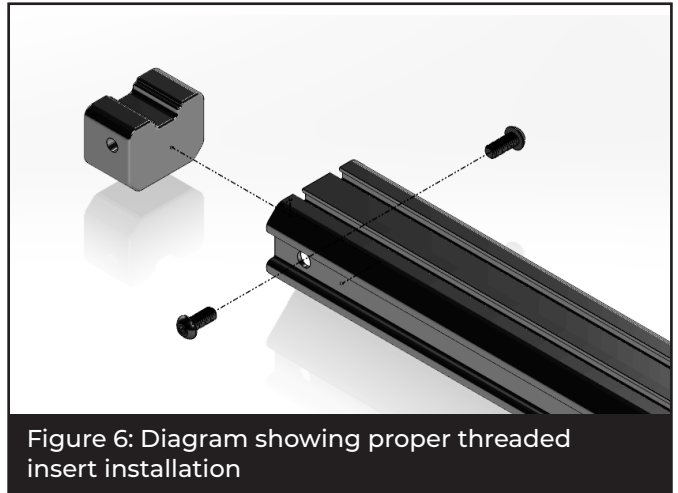


Figure 6: Diagram showing proper threaded insert installation

**12** Locate the rail mounting brackets for the rack. Position the rail mounting brackets as shown in Figures 7 and 8. Figure 7 shows the correct setup for the brackets that mount on the side of the hoops, and Figure 8 shows the correct setup for brackets that mount on the top of the hoops.

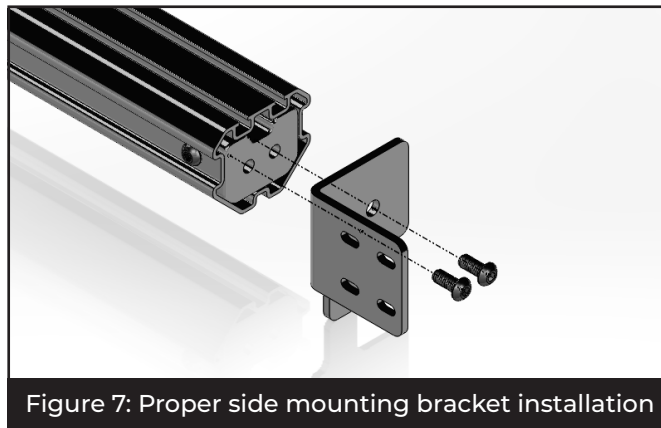


Figure 7: Proper side mounting bracket installation

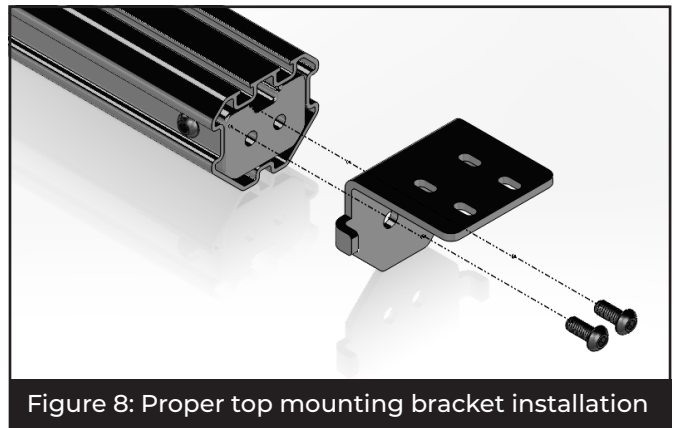


Figure 8: Proper top mounting bracket installation

**13** Locate the tubes that will sit at the top of the rack. Position the bracket so that the outside edge of the bracket sits at the start of the bent edge of the hoop as shown in Figure 9. The easiest way to get the tubes into place is to get one side in and then insert the other side diagonally so that the tabs on the bracket fit into the channel of the hoop as shown in Figure 10. Slide the square nuts under the mounting holes in the bracket, and thread in the 1/4"-20 x 1/2" bolts. Repeat the process for the other tube.

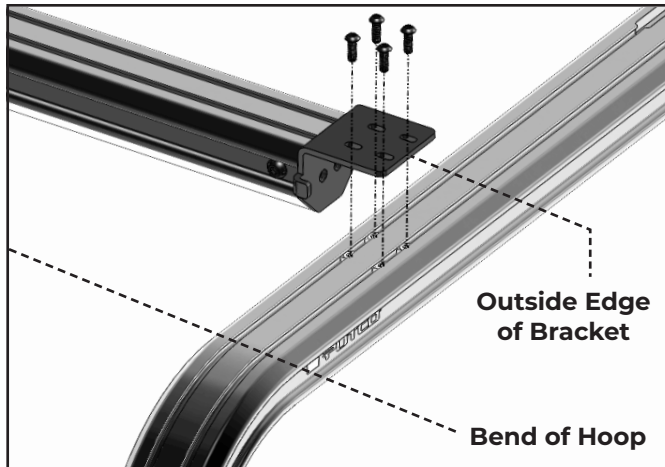


Figure 9: Diagram showing top tube installation

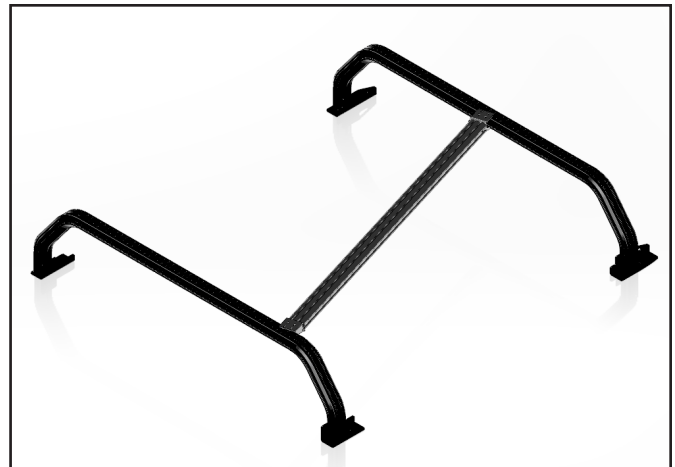


Figure 10: Diagram showing one side inserted and the other side inserted diagonally.

**14**

Locate the two side tubes. Starting with the top mounting holes, use the alignment tool to push square nuts into position by pressing the lip of the tool against the bottom edge of mounting bracket and the tip of the tool against the square nut (Fig 11a). The long leg is used to align the top mounting locations, and the shorter leg is used to align the lower mounting locations. Fasten 1/4"-20 bolts into square nuts, as shown in Figure 11b.

**15**

Adjust rack fore or aft to line up mounting feet with the vehicle's bed caps, then proceed with final torque of mounting bolt. Double check to make sure all other hardware is tight.

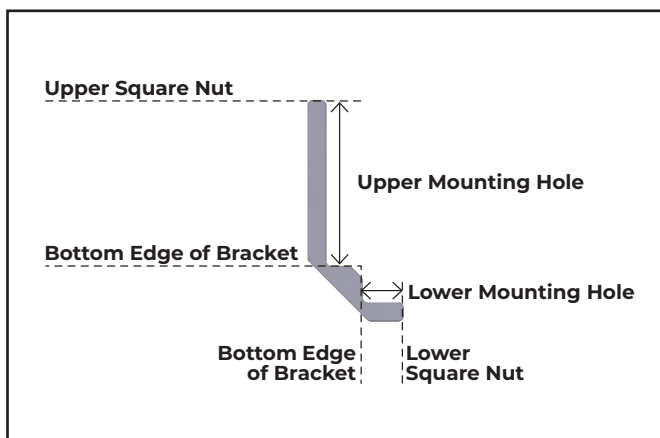


Figure 11a: Diagram showing the alignment tool

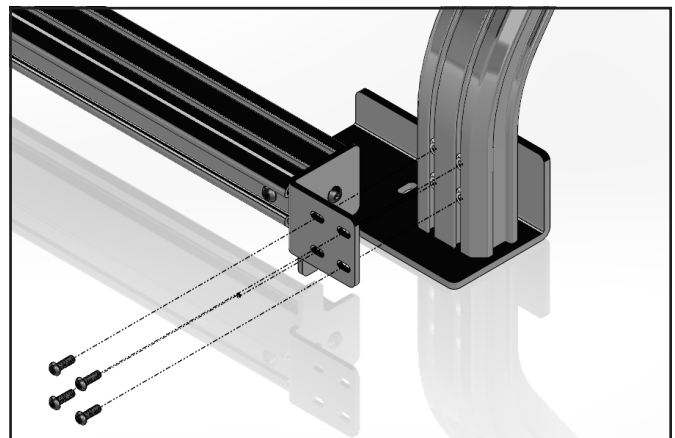


Figure 11b: Diagram showing the correct side tube mounting

**Your new Venture TEC Rack is now successfully installed on your vehicle! Let the adventures begin!**

**WARNING:**

- Make sure to periodically check that bolts are tight.
- Ensure that all accessories are securely mounted.
- Do not exceed maximum load recommended by vehicle manufacturer.
- Do not exceed maximum load rating of tent manufacturer, if applicable.
- Be aware of reduced clearance when accessories are mounted on top of the rack.